



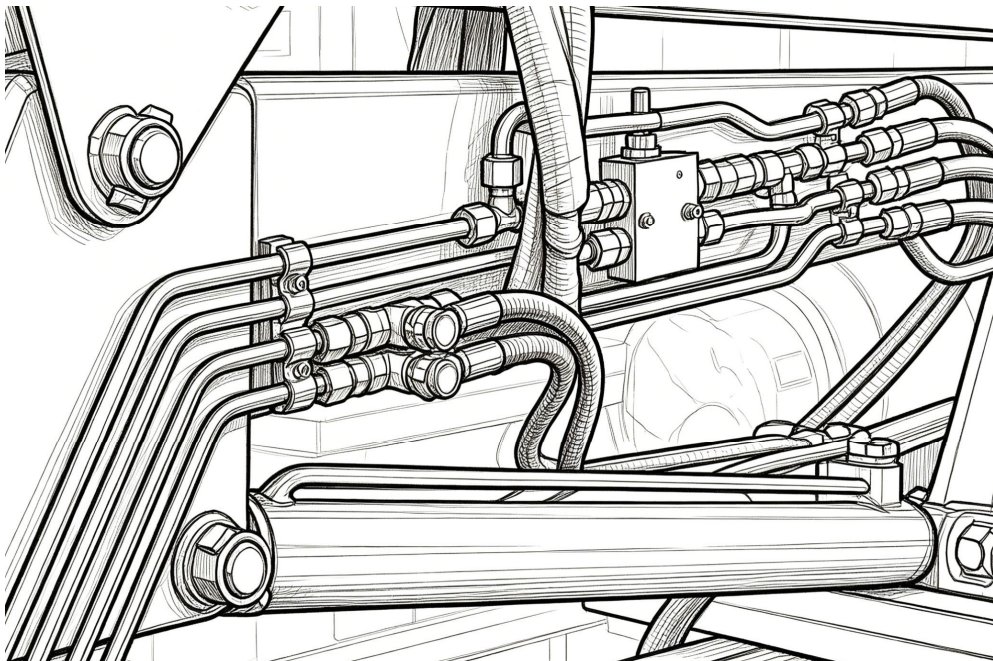
Shanghai INA Machinery Science & Technology Co., Ltd

Room 201, Building D, No.555 Wanfang Road, Minhang District, Shanghai, China

Tel.: +86 21 20422806 / +86 18717813303




Email: sales@inalube.com Website: <http://www.inalube.com>

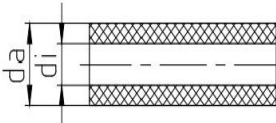
LUBRICATION PIPE




High Pressure Hose

Manufactured according to DIN 1283 standard

-  Nylon fiber layer
-  Synthetic fiber layer
-  Polyurethane layer

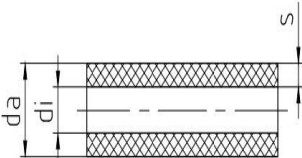





Order No.	di (mm)	da (mm)	Work Pressure	Burst Pressure	Miscellaneous
43-6001-001	4.1	8.8	350	840	
43-6001-002	6.4	11.3	350	720	
43-6001-003	6.4	11.3	350	840	Filled with grease NLGI 2
43-6001-004	4.1	8.8	350	720	Filled with grease NLGI 2

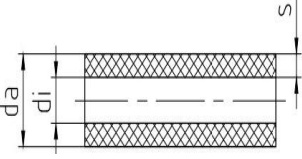
Plastic Tube (Semi-rigid)

DIN 73378+Cetop
Material: PA12 HL





Order No.	di (mm)	da (mm)	Work Pressure	Miscellaneous
43-6002-001	3	6	100	
43-6002-002	3	6	100	Filled with grease NLGI 2

Steel Tube			
			
Order No. (304)	Order No. (CS)	da (mm)	s (mm)
41-2001-001	41-1001-001	6	1
41-2001-002	41-1001-002	8	1
41-2001-003	41-1001-003	10	1
41-2001-004	41-1001-004	12	1
41-2001-005	41-1001-005	15	1.5
41-2001-006	41-1001-006	16	1.5
41-2001-007	41-1001-007	18	1.5
41-2001-008	41-1001-008	20	2
41-2001-009	41-1001-009	22	1.5
41-2001-010	41-1001-010	22	2
41-2001-011	41-1001-011	4	1
41-2001-012	41-1001-012	42	4
41-2001-013	41-1001-013	18	3
41-2001-014	41-1001-014	14	2
41-2001-015	41-1001-015	12	1.5
41-2001-016	41-1001-016	8	1.5
41-2001-017	41-1001-017	25	3
41-2001-018	41-1001-018	30	3
41-2001-019	41-1001-019	12	2
41-2001-020	41-1001-020	16	2

304 tube standard: ISO 1127 D4/T3

CS tube standard: GB/T 3639 - 2021