



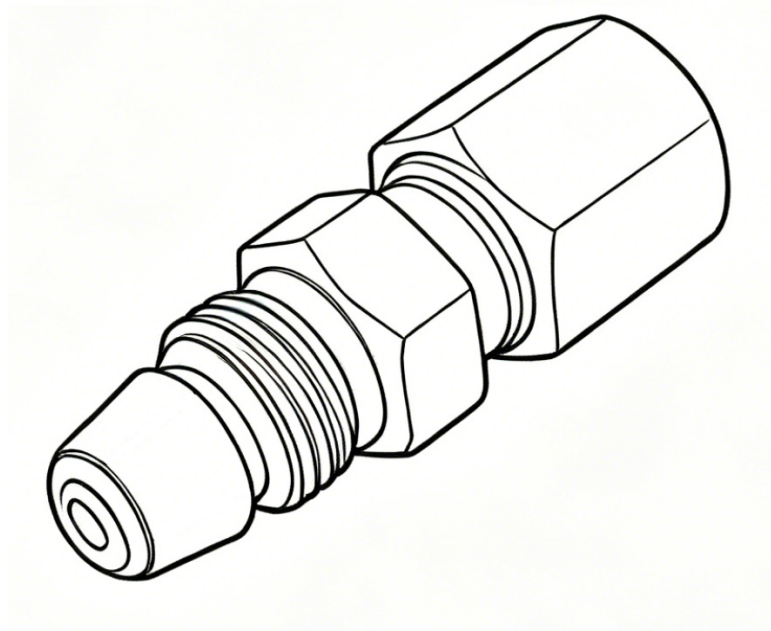
Shanghai INA Machinery Science & Technology Co., Ltd

Room 201, Building D, No.555 Wanfang Road, Minhang District, Shanghai, China

Tel.: +86 21 20422806 / +86 18717813303

Email: sales@inalube.com Website: <http://www.inalube.com>

LUBRICATION FITTING



Non-return Fitting Body					Non-return Fitting				
Order No.	D (mm)	d1	D2	SW	Order No.	D (mm)	d1	SW1	SW2
37-2XX5-004	06	M10x1	M10x1	11	37-2005-004	06	M10x1	11	12

Material: steel, galvanized surface

Compatible with PFMS series distributors.

Non-return Fitting Body					Non-return Fitting				
Order No.	D (mm)	d1	D2	SW	Order No.	D (mm)	d1	SW1	SW2
37-2XX5-006	06	M10x1 tap.	M10x1	11	37-2005-006	06	M10x1 tap.	11	12

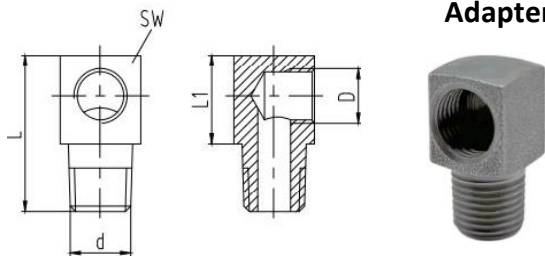
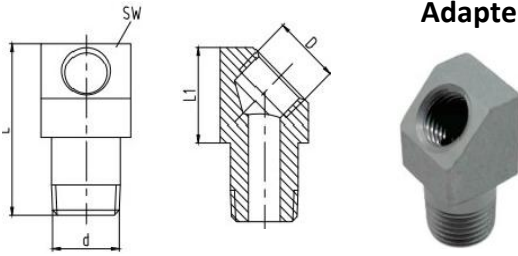
Material: steel, galvanized surface

Compatible with PFM series distributors.

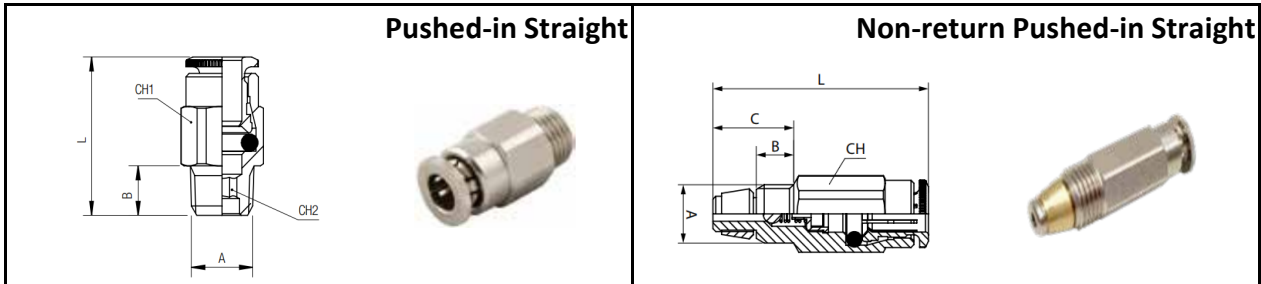
Non-return Fitting Body					Non-return Fitting				
Order No.	D (mm)	d1	D2	SW	Order No.	D (mm)	d1	SW1	SW2
37-2XX5-001	06	M10x1	M10x1	11	37-2005-001	06	M10x1	11	12

Material: steel, galvanized surface, blacked

Compatible with PFB series distributors.

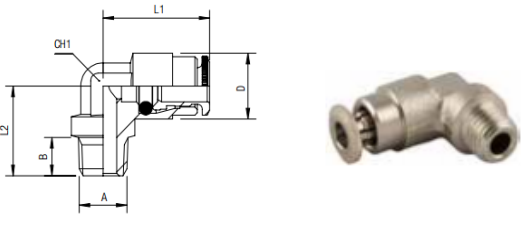
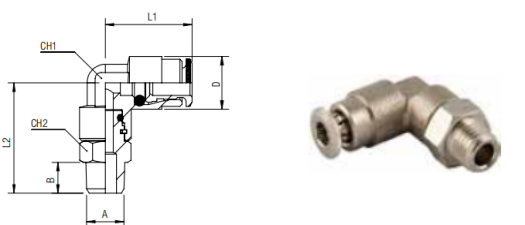
Adapter 90°					Adapter 45°				
									
Order No.	D	d	SW	L	Order No.	D	d	SW	L
37-2010-001	M6x1	M6x1 tap.	12	23	37-2011-001	M8x1	M8x1 tap.	13	23
37-2010-002	M8x1	M6x1 tap.	12	23	37-2011-002	M8x1	M10x1 tap.	13	23
37-2010-003	M8x1	M8x1 tap.	12	23	37-2011-003	M10x1	M10x1 tap.	13	23
37-2010-004	M8x1	M10x1 tap.	12	23	37-2011-004	Rp1/8	R1/8	13	23
37-2010-005	M10x1	M10x1 tap.	13	23	37-2011-005	Rp1/4	R1/4	17	33
37-2010-006	Rp1/8	R1/8	13	23					
37-2010-007	M8x1	R1/8	12	23					
37-2010-008	Rp1/4	R1/4	17	33					

Material: steel, galvanized surface



Order No.	Tube (mm)	A	B	CH1	Order No.	Tube (mm)	A	C	CH
32-4001-001	06	M10x1 tap.	6.5	12	32-4003-001	04	M10x1 tap.	14	10
32-4001-002	06	M10x1.5 tap.	7.5	12	32-4003-002	06	M10x1 tap.	14	12
32-4001-003	06	M8x1 tap.	6	12	<p>Max. work pressure: 150 bar</p> <p>Compatible with PFB series distributors.</p>				
32-4001-004	06	M8x1.25 tap.	7	12					
32-4001-005	06	M6x0.75 tap.	6	12					
32-4001-006	06	M6x1 tap.	6	12					
32-4001-007	06	R1/8	7.5	12					
32-4001-008	06	R1/4	11	14					
32-4001-009	04	M6x0.75 tap.	6	10					
32-4001-010	04	M6x1 tap.	6	10					
32-4001-011	04	M8x1 tap.	6	10					
32-4001-012	04	M8x1.25 tap.	7	10					
32-4001-013	04	M10x1 tap.	6.5	10					
32-4001-014	04	M10x1.5 tap.	7.5	10					
32-4001-015	04	R1/8	7.5	10					
32-4001-016	04	R1/4	11	14					

Max. work pressure: 150 bar

Pushed-in Elbow					Pushed-in Adjustable Elbow				
									
Order No.	Tube (mm)	A	B	CH1	Order No.	Tube (mm)	A	B	CH2
32-4004-001	04	M6x0.75 tap.	6	8	32-4005-001	04	M6x1 tap.	6	8
32-4004-002	04	M6x1 tap.	6	8	32-4005-002	04	M8x1 tap.	6	8
32-4004-003	04	M8x1 tap.	6	8	32-4005-003	04	M8x1.25 tap.	7	8
32-4004-004	04	M8x1.25 tap.	7	8	32-4005-004	04	M10x1 tap.	6.5	8
32-4004-005	04	M10x1 tap.	6.5	8	32-4005-005	04	M10x1.5 tap.	7.5	8
32-4004-006	04	M10x1.5 tap.	7.5	8	32-4005-006	04	R1/8	7.5	8
32-4004-007	04	R1/8	7.5	8	32-4005-007	04	R1/4	11	8
32-4004-008	04	R1/4	11	8	32-4005-008	06	M6x1 tap.	6	10
32-4004-009	06	M6x0.75 tap.	6	10	32-4005-009	06	M8x1 tap.	6	10
32-4004-010	06	M6x1 tap.	6	10	32-4005-010	06	M8x1.25 tap.	7	10
32-4004-011	06	M8x1 tap.	6	10	32-4005-011	06	M10x1 tap.	6.5	10
32-4004-012	06	M8x1.25 tap.	7	10	32-4005-012	06	M10x1.5 tap.	7.5	10
32-4004-013	06	M10x1 tap.	6.5	10	32-4005-013	06	R1/8	7.5	10
32-4004-014	06	M10x1.5 tap.	7.5	10	32-4005-014	06	R1/4	11	10
32-4004-015	06	R1/8	7.5	10					
32-4004-016	06	R1/4	11	10					

Max. work pressure: 150 bar

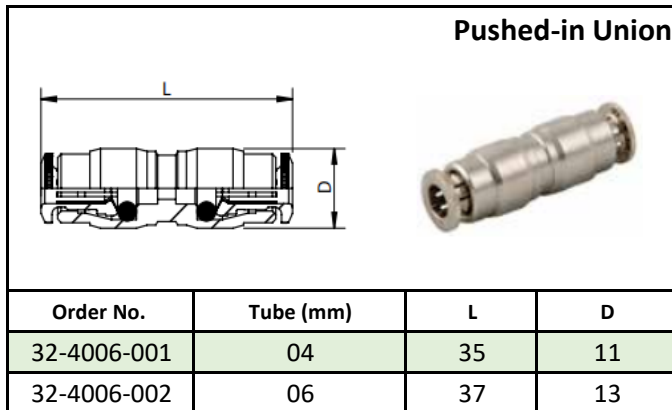


Shanghai INA Machinery Science & Technology Co., Ltd

Room 201, Building D, No.555 Wanfang Road, Minhang District, Shanghai, China

Tel.: +86 21 20422806 / +86 18717813303

Email: sales@inalube.com Website: <http://www.inalube.com>



Max. work pressure: 150 bar

<p>Material: steel, galvanized surface</p>				<p>Sleeve</p>					
Order No.	Hose Dim.	SW	L	Order No.	Hose Dim.	SW	L		
33-1001-001	Ø8.8x4.1	12	23	33-1001-001	Ø8.8x4.1	12	23		
33-1001-007	Ø8.8x4.1	12	23	33-1001-007	Ø8.8x4.1	12	23		
33-1001-003	Ø11.3x6.4	14	23	33-1001-003	Ø11.3x6.4	14	23		
<p>Hose Stud Straight</p>				<p>Pushed-in Hose Stud Straight</p>					
Order No.	d1	SW	L3	Order No.	d1	SW	L3		
33-2001-001	Ø6	10	30	33-2002-001	Ø6	10	30		
33-2001-006	Ø8	12	30						
33-2001-007	Ø10	12	30						
<p>Hose Stud 90°</p>				<p>Pushed-in Hose Stud 90°</p>					
Order No.	d1	SW	L3	Order No.	d1	SW	L3		
33-3001-001	Ø6	10	38	33-3002-001	Ø6	10	38		
33-3001-008	Ø8	12	48						
33-3001-011	Ø10	12	48						
<p>Hose Stud 45°</p>				<p>Pushed-in Hose Stud 45°</p>					
Order No.	d1	SW	L3	L4	Order No.	d1	SW	L3	L4
33-4001-001	Ø6	10	57	18	33-4002-001	Ø6	10	57	18